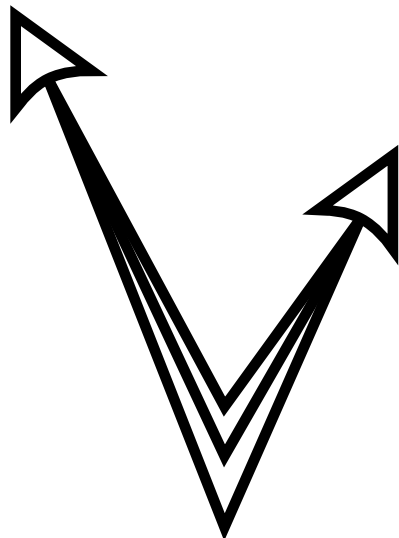


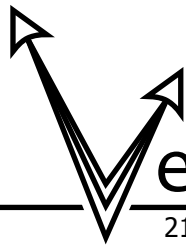
Biomate Series



vector
Industries, Inc.

Biomate 2000-25 Shown

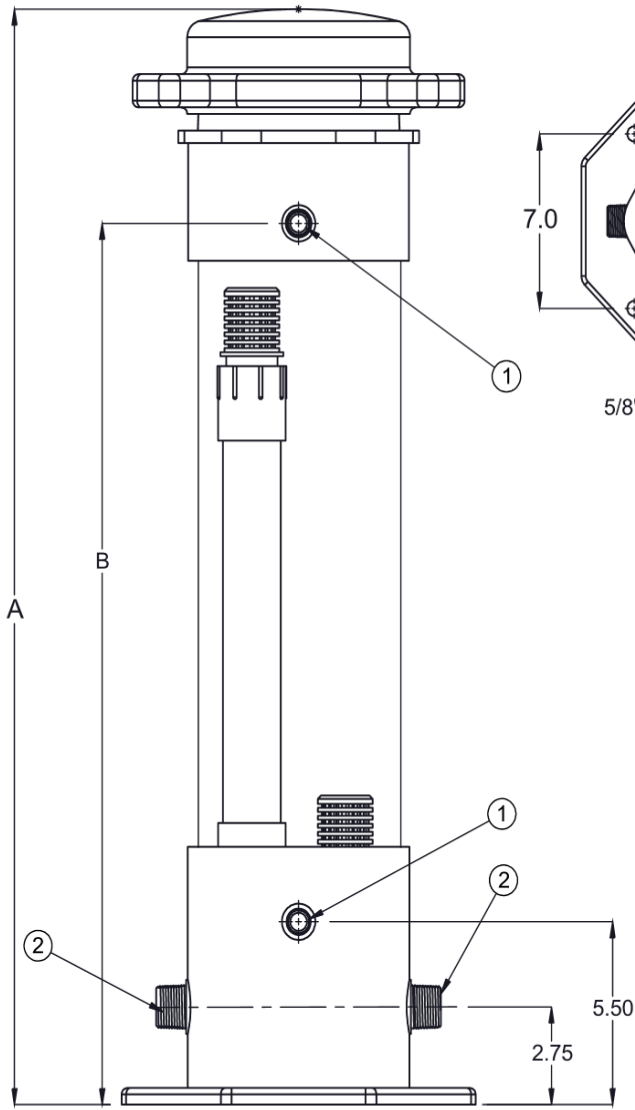




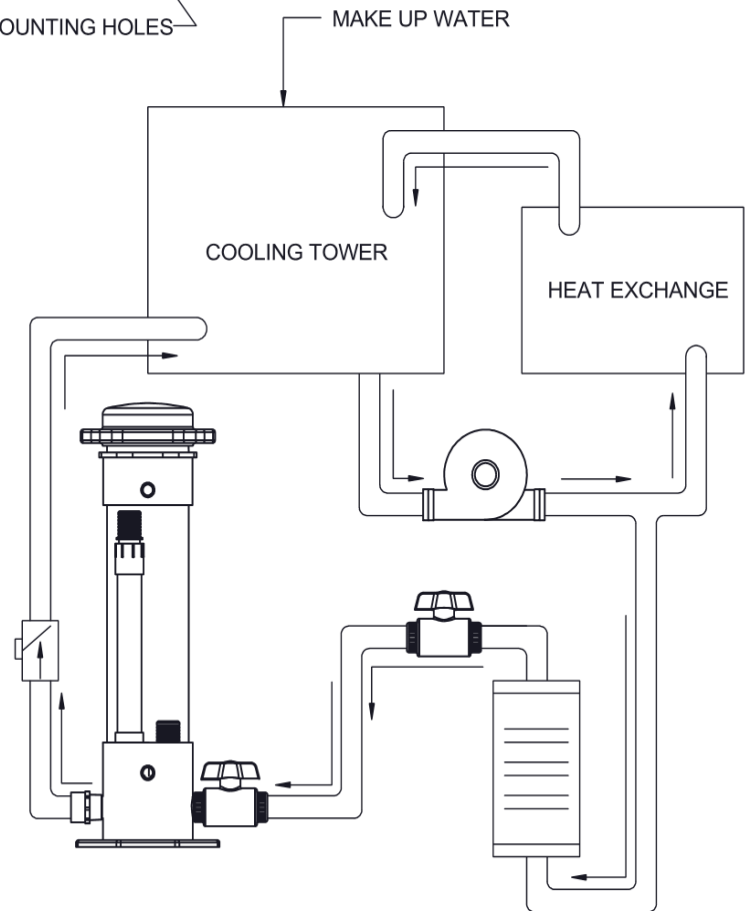
ector Industries, Inc.

2125 S. West Avenue Waukesha, WI 53189

MODEL	CAPACITY	A	B
BIOMATE 2000-15	15 POUNDS	21"	15"
BIOMATE 2000-25	25 POUNDS	33"	27"
BIOMATE 2000-50	50 POUNDS	57"	51"



5/8" MOUNTING HOLES



VALVE KIT SOLD SEPARATELY

- ① 1/2" MALE NPT PORT (4X)
- ② 1" MALE NPT PORT (2X)

Comes furnished with PRV-125 Pressure Relief Valve / Solid white feeders also available. / ***VALVE KIT SOLD SEPARATELY***

Voice: 262-542-4550 | Fax: 262-542-4490

Email: sales@vector-industries.com

Web: www.vector-industries.com